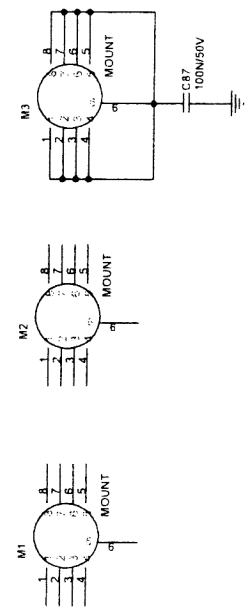
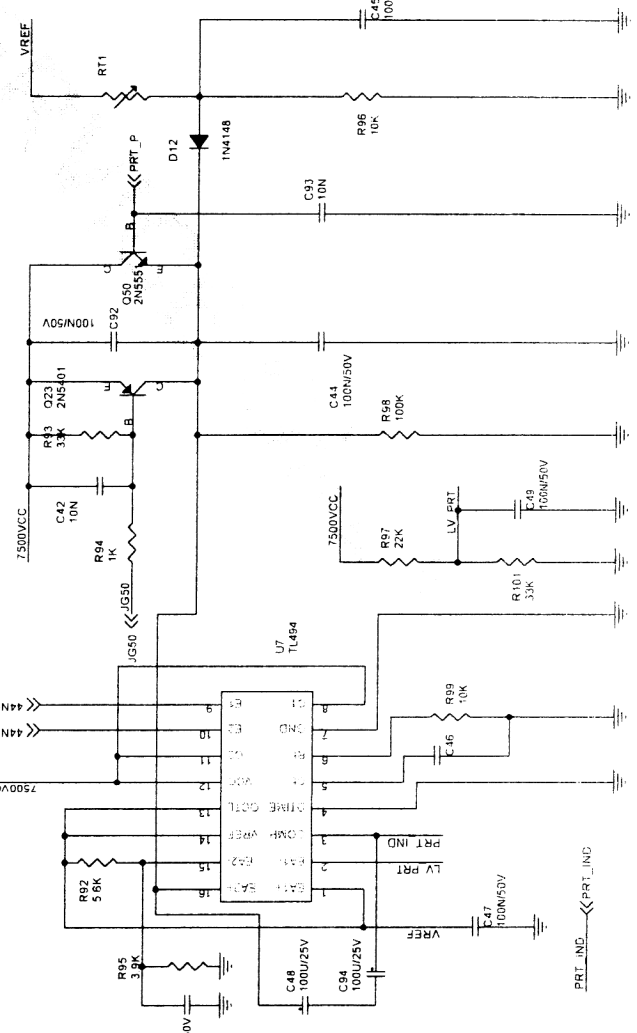
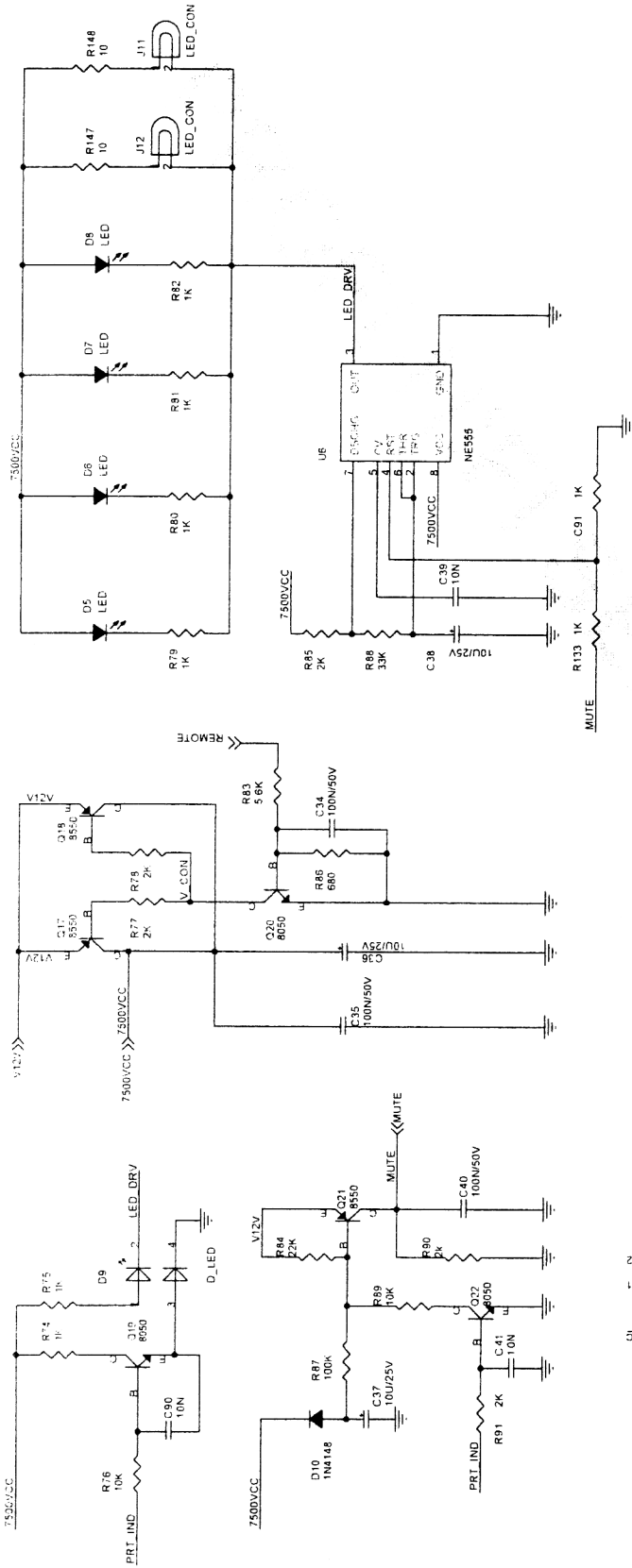
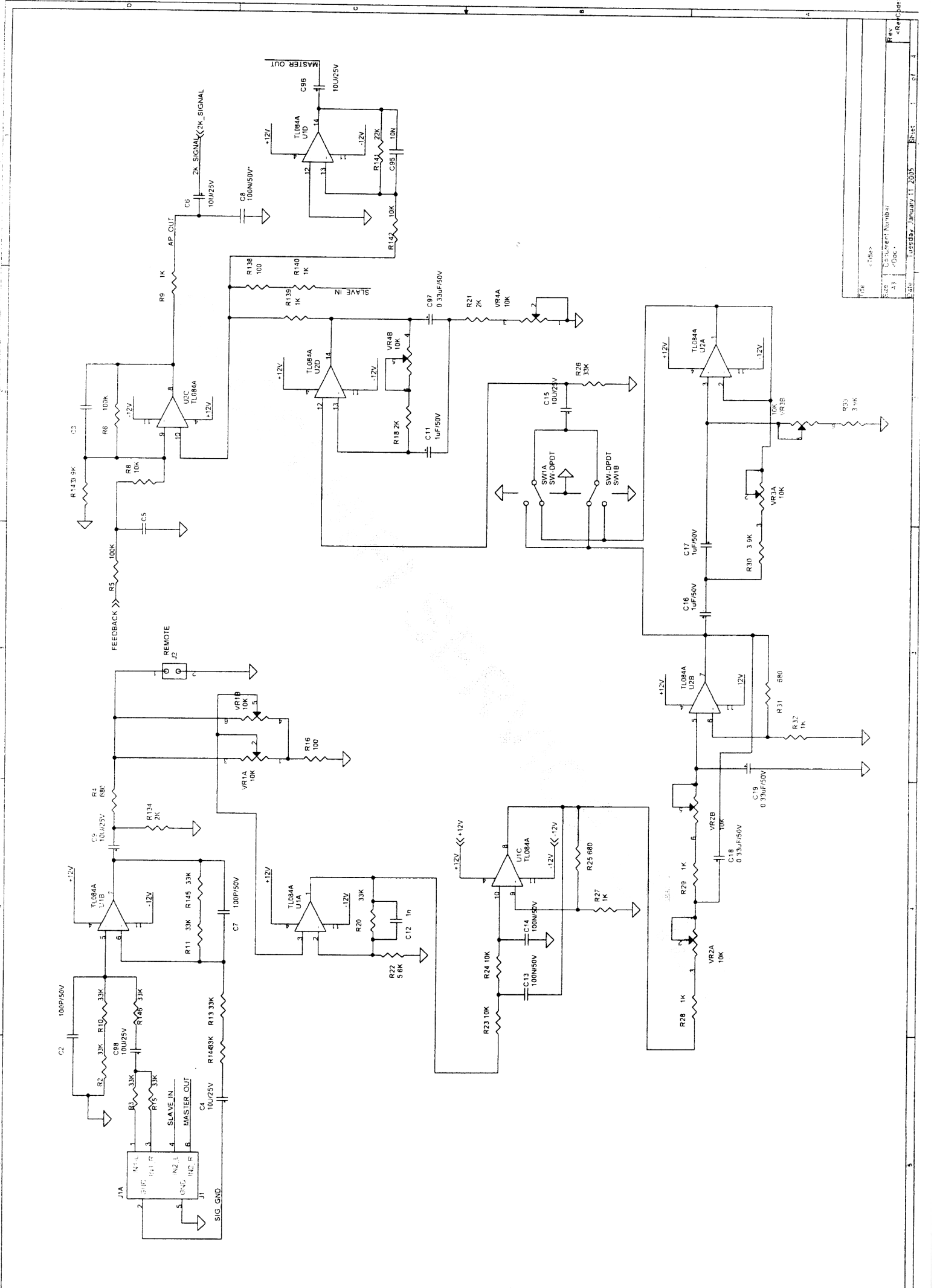


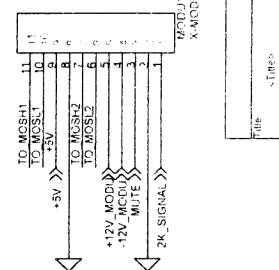
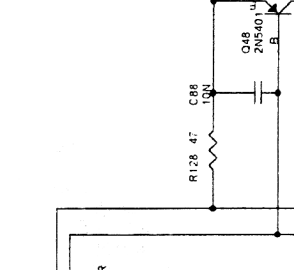
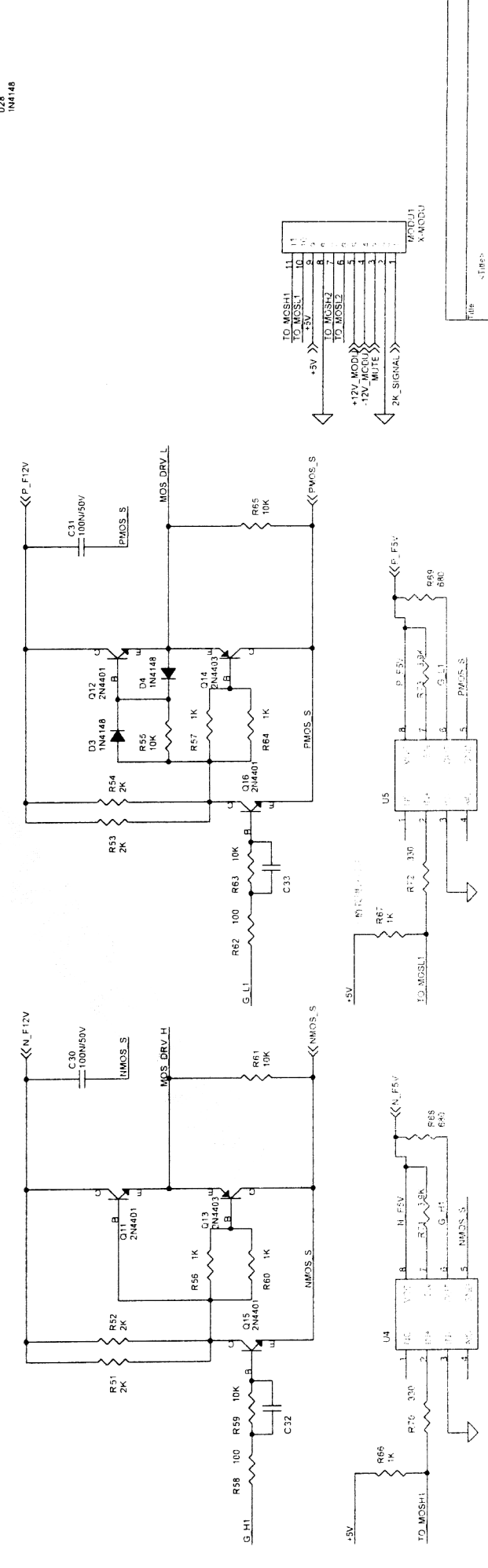
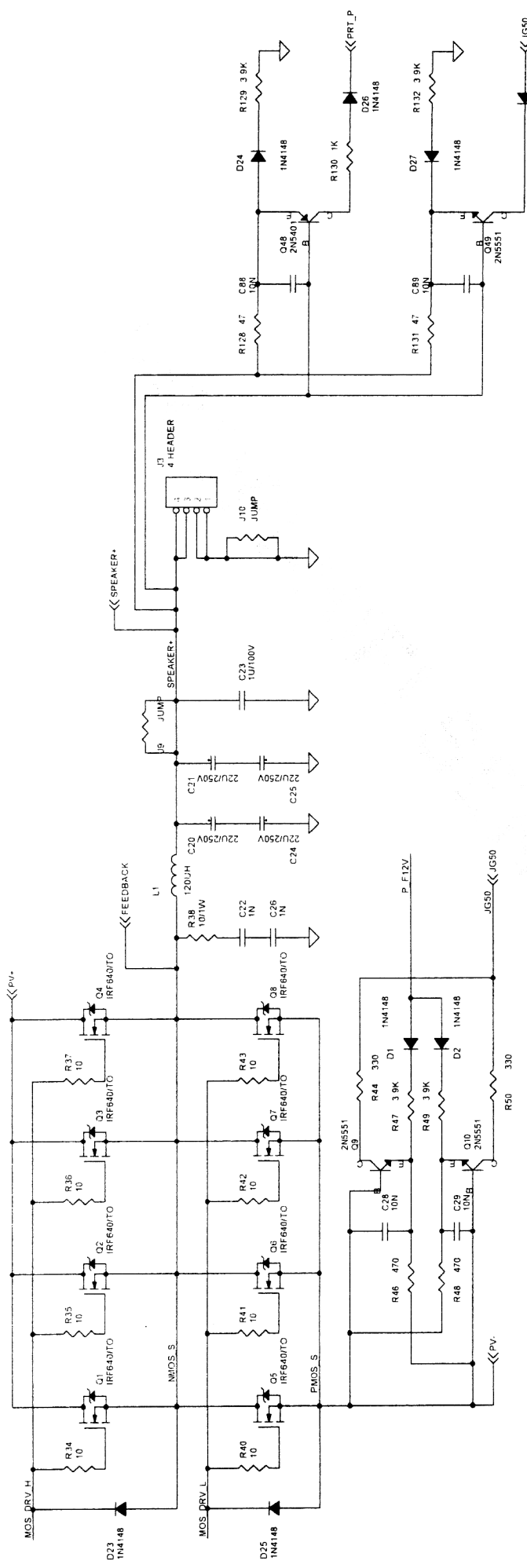
706  
 S26  
 A3  
 Design/Rev. Number  
 <Doc>  
**SLA 1500**  
 Date: 19y - 2m 19y 11 2005  
 Rev: 4  
 01 4  
 A



File	<File>
Sheet	3 of 1
Date	Tuesday, January 11, 2023
Author	<Author>
Job	<Job>
Revision	<RevCode>



Rev	1	1	1
Author	...	...	...
Customer Number	...	...	...
Date	...	...	...
Sheet	1	1	1
Project	...	...	...



Title	<STEP>
Size	Project: Number
File	<Dir>
File	to: star_valby: 1 2005
Sheet	3 of 4